

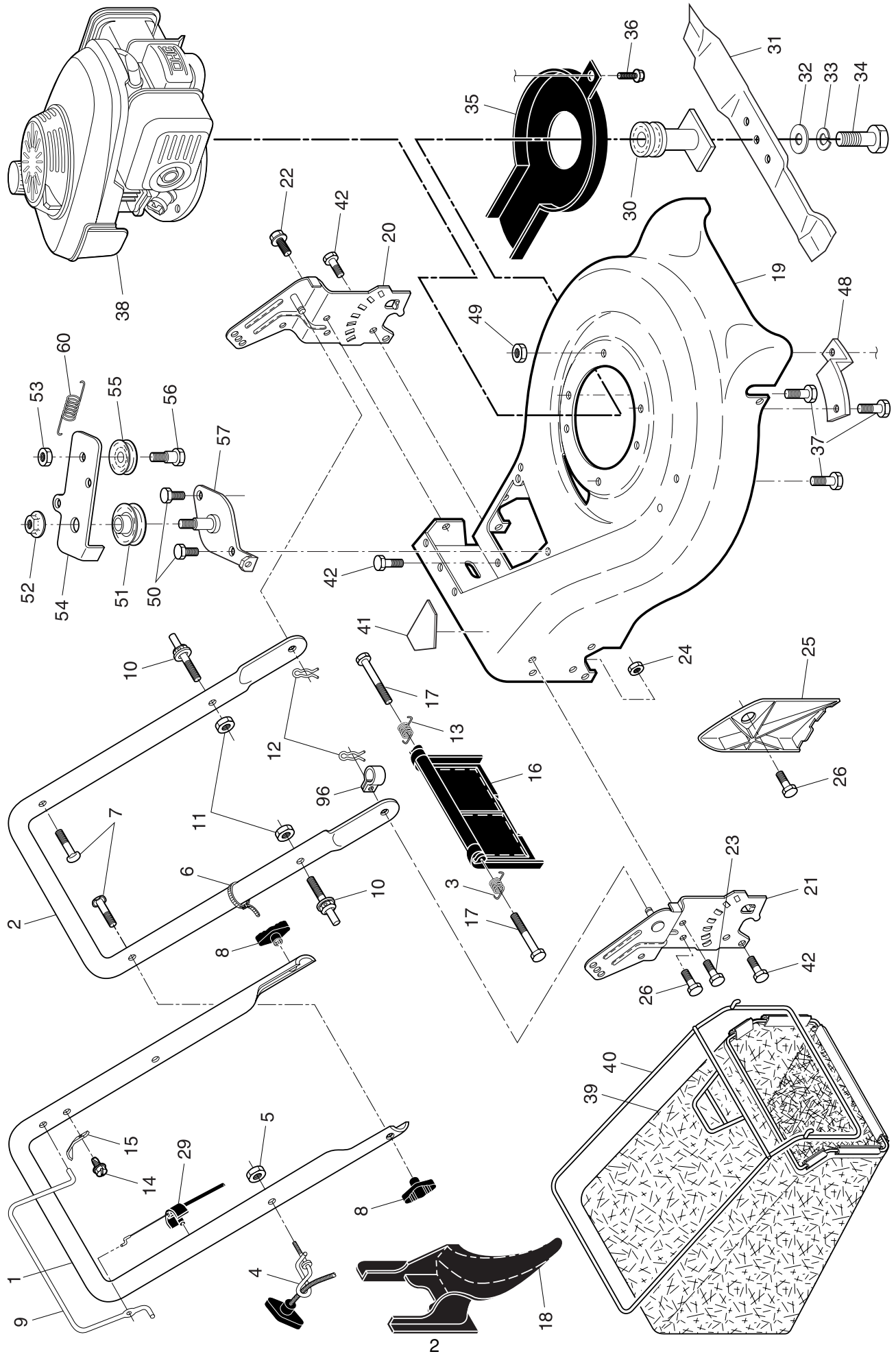
ILLUSTRATED PARTS LIST

MODEL NUMBER M55H53RD

PRODUCT NUMBER 961 41 01-07

MFG. ID. NUMBER 96141010700

ROTARY LAWN MOWER - - MODEL NUMBER M55H53RD (96141010700) PRODUCT NUMBER 961 41 01-07

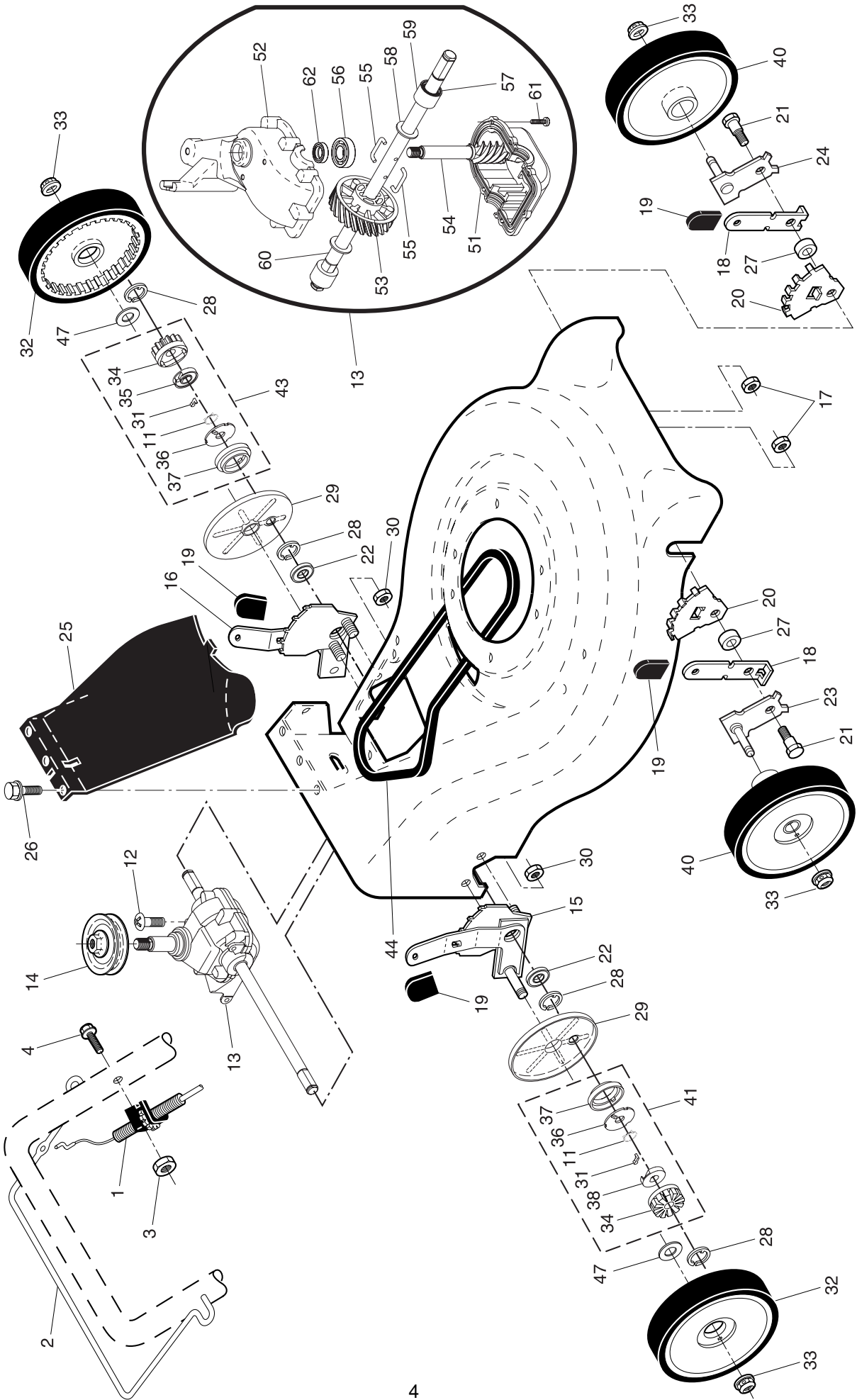


ROTARY LAWN MOWER - - MODEL NUMBER M55H53RD (96141010700) PRODUCT NUMBER 961 41 01-07

KEY NO.	PART NO.	DESCRIPTION	KEY NO.	PART NO.	DESCRIPTION
1	532 40 32-98	Handle, Upper	30	532 18 91-79	Blade Adapter / Pulley
2	532 19 60-05	Handle, Lower	31	532 19 93-77	Blade, 21"
3	532 18 60-53	Spring, Rear Door, RH	32	532 85 10-74	Washer
4	532 19 47-88	Rope Guide	33	532 85 02-63	Washer, Lock
5	532 13 20-04	Nut, Hex, with Lockwasher Insert 1/4-20	34	532 85 10-84	Bolt, Hex Head
6	532 06 64-26	Wire, Tie	35	532 18 87-86	Debris Shield
7	532 19 15-74	Bolt, Handle 5/16-18 x 2-5/8	36	532 19 23-25	Bolt
8	532 08 76-92	Knob, Handle	37	532 15 04-06	Bolt, Engine
9	532 19 84-64	Control Bar	38	- - -	Engine, Honda, Model Number GCV160 (order parts from Engine manufacturer)
10	532 18 88-21	Bolt, Carriage	39	532 40 26-84	Grassbag
11	873 93 05-00	Locknut, Hex 5/16-18	40	532 19 46-44	Frame, Grassbag
12	532 05 17-93	Cotter, Hairpin	41	532 19 21-66	Danger Decal
13	532 18 60-52	Spring, Rear Door, LH	42	532 05 45-83	Screw
14	532 75 06-34	Screw	48	532 19 09-39	Mounting Bracket, Debris Shield
15	532 12 51-62	Bracket, Upstop	50	532 05 78-08	Screw
16	532 19 05-74	Rear Door Assembly	51	532 19 37-91	Pulley, Idler
17	532 18 41-93	Bolt, Rear Door	52	532 14 52-12	Flanged Nut
18	532 19 81-70	Plug, Mulcher	53	532 15 55-52	Locknut
19	532 40 39-61	Kit, Housing	54	532 19 68-12	Idler Arm
20	532 40 32-96	Handle Bracket Asembly, LH	55	532 16 60-43	Idler Pulley
21	532 40 32-97	Handle Bracket Assembly, RH	56	532 16 08-29	Shoulder Bolt
22	532 15 00-78	Screw, Hex Washer Head	57	532 19 33-15	Bracket Assembly
23	532 16 31-83	Bolt, Hex Head 5/16-18 x 5/8	60	532 18 22-26	Spring, Return
24	873 80 05-00	Nut, Hex, with Lockwasher Insert 5/16-18	96	532 19 79-91	Clip, Cable
25	532 16 13-33	Baffle, Side	- -	532 18 21-34	Warning Decal (not shown)
26	532 16 34-09	Screw #12 x 5/8	- -	532 40 21-91	Operator's Manual, European
29	532 19 12-21	Cable, Engine Zone Control			

NOTE: All component dimensions given in U.S. inches. 1 inch = 25.4 mm. **IMPORTANT:** Use only Original Equipment Manufacturer (O.E.M.) replacement parts. Failure to do so could be hazardous, damage your lawn mower and void your warranty.

ROTARY LAWN MOWER -- MODEL NUMBER M55H53RD (96141010700) PRODUCT NUMBER 961 41 01-07



ROTARY LAWN MOWER - - MODEL NUMBER M55H53RD (96141010700) PRODUCT NUMBER 961 41 01-07

KEY NO.	PART NO.	DESCRIPTION	KEY NO.	PART NO.	DESCRIPTION
1	532 18 91-81	Drive Control Assembly (Includes Cable)	31	532 17 50-98	Pawl
2	532 19 84-53	Control Bar, Drive	32	532 40 29-36	Wheel & Tire Assembly, Rear 8 x 1-3/4
3	532 19 17-30	Nut, Hex 1/4-20	33	532 08 39-23	Nut, Flangelock 3/8-16
4	532 18 56-81	Screw	34	532 17 51-03	Gear
11	532 18 82-91	Spring, Torsion	35	532 17 51-05	Retainer, Drive, LH
12	532 18 76-53	Screw	36	532 17 51-04	Disc, Drive
13	532 19 33-54	Gear Case Assembly, Complete	37	532 18 41-72	Seal, Friction
14	532 19 34-43	Pulley, Drive	38	532 17 51-02	Retainer, Drive, RH
15	532 19 72-35	Kit, Wheel Adjuster Assembly, RH (Includes Knob and Bearing)	40	532 40 31-14	Wheel & Tire Assembly, Front 8 x 1-3/4
16	532 19 72-34	Kit, Wheel Adjuster Assembly, LH (Includes Knob and Bearing)	41	532 18 83-30	Pinion Assembly, RH
17	532 16 67-85	Nut, Hex	43	532 18 83-31	Pinion Assembly, LH
18	532 16 85-99	Spring, Selector	44	532 18 36-88	V-Belt
19	532 08 78-77	Knob, Selector Spring	47	532 06 77-25	Washer
20	532 16 57-04	Bracket, Wheel Adjusting	51	532 18 75-30 *	Case, Lower
21	532 16 08-28	Bolt, Shoulder, Hex Head	52	532 18 75-31 *	Case, Upper
22	532 16 99-11	Bearing, Ball	53	532 18 75-32	Gear, 24 Teeth
23	532 18 92-78	Axle Arm Assembly, RH	54	532 18 75-33	Shaft, Input
24	532 18 92-77	Axle Arm Assembly, LH	55	532 18 35-05	Wire, Formed
25	532 40 28-07	Cover Drive	56	532 18 35-06	Bearing, Ball
26	532 75 06-34	Screw, Threaded, Rolled #10-25 x .50	57	532 18 35-08	Seal, Output Shaft
27	532 18 39-01	Spacer	58	532 18 35-09	Washer
28	812 00 00-58	E-Ring 7/16	59	532 18 35-11	Bushing
29	532 18 94-03	Cover, Dust, Wheel	60	532 19 73-85	Shaft, Output
30	873 80 04-00	Nut, Hex	61	532 18 35-13	Screw
			62	532 18 35-14	Seal, Input Shaft

* Use Dow Corning #709 to reseal Gear Case Halves.

NOTE: All component dimensions given in U.S. inches. 1 inch = 25.4 mm. **IMPORTANT:** Use only Original Equipment Manufacturer (O.E.M.) replacement parts. Failure to do so could be hazardous, damage your lawn mower and void your warranty.